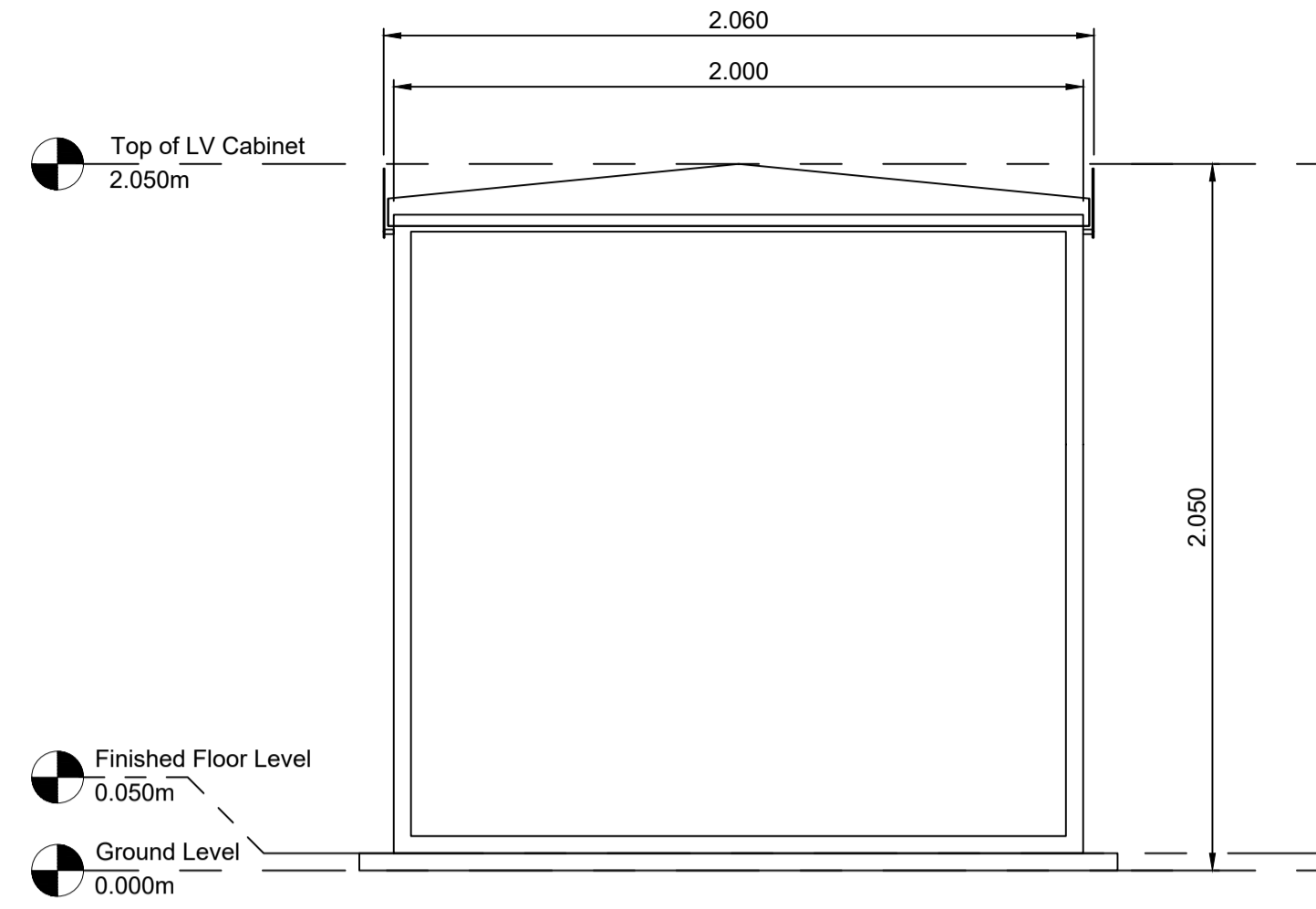
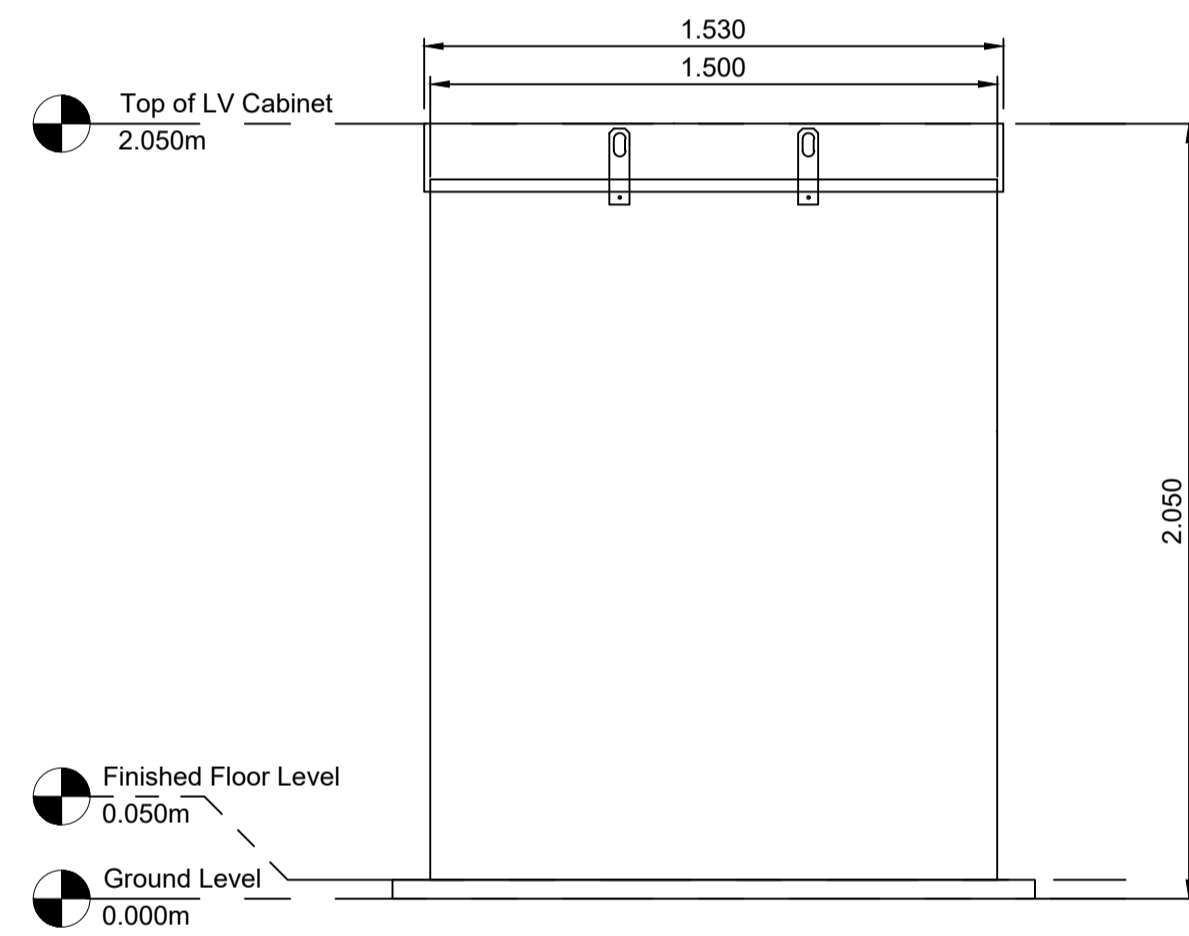


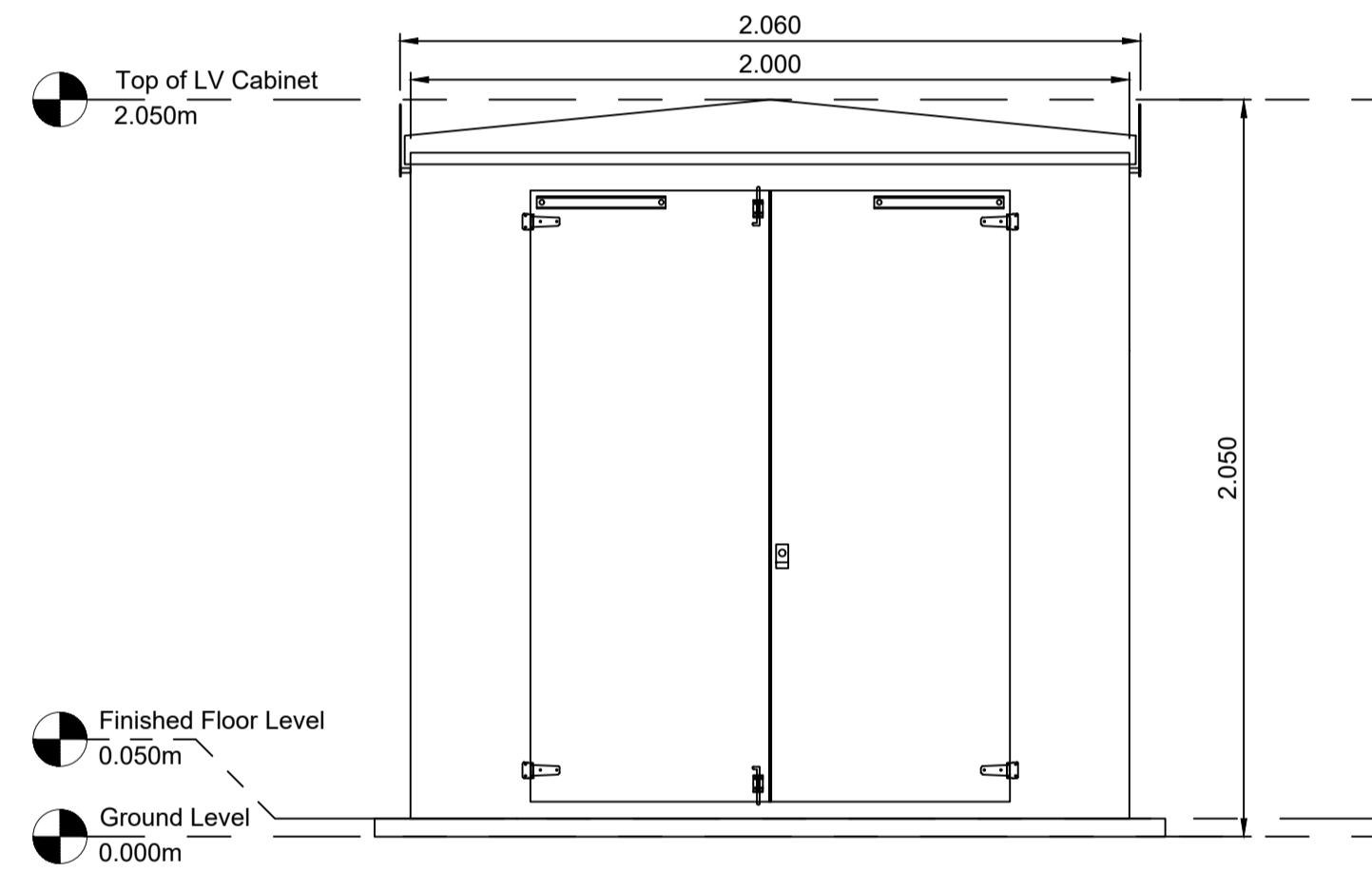
1 LV Cabinet Plan
Scale 1:20 @ A1



2 LV Cabinet North Elevation
Scale 1:20 @ A1



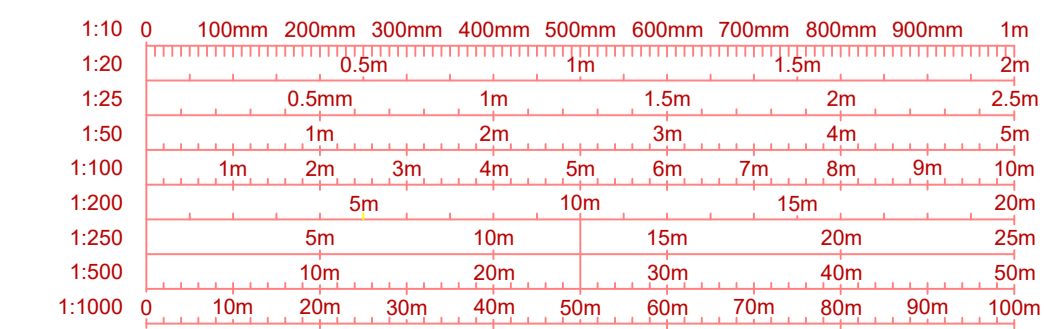
3 LV Cabinet East Elevation
Scale 1:20 @ A1



4 LV Cabinet South Elevation
Scale 1:20 @ A1

Drawing Notes

- All dimensions are shown in metres unless noted otherwise.
- Do not scale from this drawing.



1	12.11.2024	Detail adjusted	JH	AP
0	30.10.2024	LV Cabinet Plan and Elevations - Original	EW	JH
REV	DATE	DESCRIPTION	BY	CHKD

FIELD
 Field
 Fora Montacute Yards
 186 Shoreditch High Street
 London
 E1 6HU

PROJECT
 Spittal

TITLE
 LV Cabinet
 Plan and Elevations

DISCIPLINE
 PLANNING

DRAWING STATUS
 FOR PLANNING

SCALE	DATE	DRAWN BY	CHECKED BY	APPROVED BY
1:20 @ A1	30.10.2024	EW	JH	RS
PROJECT NO.	DRAWING NO.			REV.
BTGBSPI01	004.7			01